

# NATIONAL INSTITUTE OF TECHNOLOGY KARNATAKA, SURATHKAL

## DEPARTMENT OF MECHANICAL ENGINEERING

POST SRINIVASNAGAR, MANGALURU – 575 025 (D K)

Phone: (0824) 2474000.  
E- mail: info@nitk.ac.in

Fax: (0824) 2474033  
Website: <http://www.nitk.ac.in>



# TENDER DOCUMENT

Tender Notification: 09 / NITK / MECH- FUR / OH - 35 / 2020-21 / B4

Dated 02-12-2020

Name of Goods	“Supply of furniture to Mechanical Engineering Department in NITK, Surathkal”
Estimated amount put to Tender	Rs.38,74,000/-
Time for Supply of item	45 (Forty Five) days including rainy season.
Bid Document Download Start Date	02.12.2020 @ 5:30PM
Online Bid Submission Start Date	02.12.2020 @ 5:30PM
Online Bid Submission End Date	22.12.2020 @ 4:30PM
Address for Submission of Tender	<a href="https://eprocure.gov.in/">https://eprocure.gov.in/</a>
Date of opening technical bid	23.12.2020 @ 4:30PM
Contact Details of Buyer	HOD of Mechanical Engg. Phone 0824 – 2473049
Purchase officer Name and Contact(Related to purchase inquiry)	Gaurav Chowdhury, Assistant Registrar (Purchase) Phone: +91-824-2473993 Email: <a href="mailto:gaurav@nitk.edu.in">gaurav@nitk.edu.in</a>



**NATIONAL INSTITUTE OF TECHNOLOGY KARNATAKA, SURATHKAL**

**DEPARTMENT OF MECHANICAL ENGINEERING**

POST SRINIVASNAGAR, MANGALURU – 575 025

Phone: (0824) 2474000

Fax: (0824) 2474033

Email: info@nitk.ac.in

Website: <http://www.nitk.ac.in>

**Tender Notification No : 09 / NITK / MECH- FUR / OH - 35 / 2020-21 / B4**

**Dated 02-12-2020**

**NOTICE INVITING e-TENDER (e-NIT)**

The National Institute of Technology Karnataka, Surathkal (in short – NITK, Surathkal) is an Institute of National Importance under Ministry of Education, Govt of India imparting Technical Education and engaged in Research Activities.

Online Tenders(<https://eprocure.gov.in/>) are invited for the following items in **two cover system** (i.e., Technical bid and financial bid) subject to the following terms and conditions, from the reputed manufacturers or it's authorized dealers so as to reach this office on or before scheduled date and time. The tender (Technical bid) will be opened online on the due date as mentioned. Bidders can verify their bid status through online portal <https://eprocure.gov.in/>. The financial bid of only such bidders whose technical bid is accepted shall be opened on the same day or later pre-informed date.

<b>Name of Goods</b>	1.Class Boards with provision for LCD Projection/ Writing with Marker and Chalk (White,Green Horizontal Sliding Board), 2.Podium,3..Teachers Table for Big Seminar Hall,4.Conference Table (34 Seater – Similar to Godrej Senate without chairs, 5.Chemical Analysis Table (Island, Table Module), 6.Heavy Duty Table, 7.Wooden Desk 8.Wooden Bench
<b>Estimated Cost</b>	<b>Rs.38,74,000/-</b>
<b>Time for completion of Supply after Placing Purchase Order</b>	<b>45 (Forty Five) days including rainy season.</b>
<b>Bid Document Download Start Date</b>	<b>02.12.2020 @ 5:30PM</b>
<b>Online Bid Submission Start Date</b>	<b>02.12.2020 @ 5:30PM</b>
<b>Online Bid Submission End Date</b>	<b>22.12.2020 @ 4:30PM</b>
<b>Address for Submission of Tender</b>	<a href="https://eprocure.gov.in/">https://eprocure.gov.in/</a>
<b>Date of opening technical bid</b>	<b>23.12.2020 @ 4:30PM</b>
<b>Contact Details of Buyer</b>	HOD of Mechanical Engg. Phone 0824 – 2473049

**Sd/-  
Registrar**

1. **Earnest Money Deposit (EMD):** The intending bidder must submit a '**Bid Security Declaration**' declaring disqualification of his bid in case the bid is withdrawn or modified by him during the bid validity period. The format of 'Bid Security Declaration' is available in the Tender Document. 'Bid Security Declaration' duly signed be uploaded while submitting the e-bid. **Tenders received without the 'Bid Security Declaration' will be rejected** (except in the case of NSIC/MSME enlisted bidders (under relevant NIC & Activity) / Startups).
2. **Performance guarantee:** The successful bidder shall deposit a **performance guarantee of 3%** of the bid amount (as accepted) through RTGS/NEFT/ in the form of Bank Guarantee (in approved format) / Demand Draft / FDR of any scheduled bank drawn in favour of the **Director, NITK, Surathkal** payable at Surathkal, on intimation before executing the Contract Agreement.
3. **Security deposit:** The successful bidder shall deposit a further **security deposit of 2.5%** of the bid amount (as accepted) through RTGS/NEFT/ in the form of Bank Guarantee (in approved format) / Demand Draft / FDR of any scheduled bank drawn in favour of the **Director, NITK, Surathkal** while executing the Contract Agreement **OR** the same shall be deducted from the contractor's work bills.
4. **If agencies enlisted under NSIC/MSME are interested in participating in the e-tender, they may participate subject to fulfillment of the conditions of this notice inviting e-tenders. However, they are exempted from paying EMD and Previous Experience. "The Startups"** as recognized by the Department of industrial Policy and promotion (DIPP ) are also exempted from paying EMD and previous experience

5. **Minimum eligibility criteria for qualifying in Technical bid:**

The intending bidder must satisfy all the following requirements for qualifying in the technical bid. Self-attested copy of the related document should be scanned and uploaded while submitting e-tenders:

- 5.1 A self-attested copy of registration under Shops and Commercial Establishment Act (or similar) evidencing registration as Furniture manufacturer/ Furniture dealer should be uploaded to e-Procurement portal while submitting e-tenders.
- 5.2 The bidder must possess GST registration – a self attested copy should be uploaded.
- 5.3 The bidder must possess PAN registration with Income Tax department – a self-attested copy should be uploaded.
- 5.4 The bidder must be registered under Employees Provident Fund (EPF) Act – a self-attested copy should be uploaded (if not applicable as per the said Act-enclose exemption declaration duly signed and stamped).
- 5.5 The bidder must be registered under Employees State Insurance (ESI) Act – a self-attested copy should be uploaded (if not applicable as per the said Act-enclose exemption declaration duly signed and stamped).
- 5.6 The agency must have the experience of having **successfully completed** similar work as follows during the past seven financial years (Enhancement at simple 7% per annum shall be considered to bring it to the current costing level) in any Central Government department/ State Government department/Central or

State Government undertakings/ Central or State government autonomous bodies/Public or Private Sector Units/ Private firms:

- (i) **At least three single similar works, each work costing not less than ₹15.49 lakh; OR**
- (ii) **Two similar works, each work costing not less than ₹23.24 lakh; OR**
- (iii) **One similar work of not less than ₹30.99 lakh.**

Similar work means manufacturing, supply and installation of Furniture items.

Self-attested copy of Work Experience certificate issued from Central Government department/ State Government department/Central or State Government undertakings/ Central or State government autonomous bodies/Public or Private Sector Units/ Private firms (**with a copy of TDS certificate in case of Private firms**) should be uploaded.

Relaxation of norms applicable to startup and MSE as per GOI order.

- 6. The bidder should not have abandoned or suspended any awarded work of any organization during the past five financial years. Relevant proof in the form of a duly sworn affidavit (as per the format in the tender document) in this respect should be signed and uploaded (and the original be furnished by the successful bidder while executing the contract agreement).
- 7. The agency should not have been blacklisted / debarred for competing by any organization during the past five financial years. Relevant proof in the form of a duly sworn affidavit (as per the format in the tender document) in this respect should be signed and uploaded (and the original be furnished by the successful bidder while executing the contract agreement).
- 8. Time is the essence of the contract and hence the work should be completed within the stipulated timeframe. Bidders, who in their opinion have the capacity to complete the work within the stipulated timeframe, shall only participate in the e-tender. **Participation in the e-tender shall be deemed as the bidder has the capacity to complete the work within the stipulated timeframe.**
- 9. Quoting rate for all the items is a must. **The lowest tender will be determined based on the total of all the items.** If the rate is not quoted for any of the item(s) or quoted as zero for whatever the reason, the same shall be executed at zero cost.
- 10. A Contract Agreement shall be drawn with the successful bidder. Price escalation clause is not applicable to this work. Any further details required may be obtained from the office during the office hours
- 11. The Institute reserves the right of rescheduling the calendar of events, make modifications to tender document before its submission by the bidder, cancelling the tender or accepting any tender other than the lowest or rejecting all the tenders.
- 12. **Warranty period required: 5 Years.** Enclose Warranty period declaration duly signed and stamped for the tendered items.

Sd/-  
Registrar

Copy to: Central Public Procurement Portal (eprocure.gov.in)

Copy to:

(1) Dean (P&D); (2) Dean (FW); (3) Registrar; (4) Joint Registrar;  
(5) CVO, NITK; (6) Internal Auditor; (7) Resident Engineer; (8) Faculty i/c of Est.& Works;  
(9) F. I of Ele.Works; (10) Accounts Suptd.- 1; (11) Cashier- for information.

Copy to: Shri P G Mohanan, CCC with a request to upload the notification to the Institute website.

Copy to HOD of Mechanical Engineering – for information.

Copy submitted to the Tables of Director and Deputy Director – for kind information

## **SECTION 1 A: Instructions for Online Bid Submission**

The bidders are required to submit soft copies of their bids electronically on the CPP Portal, using valid Digital Signature Certificates. The instructions given below are meant to assist the bidders in registering on the CPP Portal, prepare their bids in accordance with the requirements and submitting their bids online on the CPP Portal.

More information useful for submitting online bids on the CPP Portal may be obtained at:

<https://eprocure.gov.in/eprocure/app>.

### **REGISTRATION**

- 1) Bidders are required to enroll on the e-Procurement module of the Central Public Procurement Portal (URL: <https://eprocure.gov.in/eprocure/app>) by clicking on the link “**Online bidder Enrollment**” on the CPP Portal which is free of charge.
- 2) As part of the enrolment process, the bidders will be required to choose a unique username and assign a password for their accounts.
- 3) Bidders are advised to register their valid email address and mobile numbers as part of the registration process. These would be used for any communication from the CPP Portal.
- 4) Upon enrolment, the bidders will be required to register their valid Digital Signature Certificate (Class II or Class III Certificates with signing key usage) issued by any Certifying Authority recognized by CCA India (e.g. Sify / nCode / eMudhra etc.), with their profile.
- 5) Only one valid DSC should be registered by a bidder. Please note that the bidders are responsible to ensure that they do not lend their DSC’s to others which may lead to misuse.
- 6) Bidder then logs in to the site through the secured log-in by entering their user ID / password and the password of the DSC / e-Token.

### **SEARCHING FOR TENDER DOCUMENTS**

- 1) There are various search options built in the CPP Portal, to facilitate bidders to search active tenders by several parameters. These parameters could include Tender ID, Organization Name, Location, Date, Value, etc. There is also an option of advanced search for tenders, wherein the bidders may combine a number of search parameters such as Organization Name, Form of Contract, Location, Date, Other keywords etc. to search for a tender published on the CPP Portal.
- 2) Once the bidders have selected the tenders they are interested in, they may download the required documents / tender schedules. These tenders can be moved to the respective ‘My Tenders’ folder. This would enable the CPP Portal to intimate the bidders through SMS / email in case there is any corrigendum issued to the tender document.
- 3) The bidder should make a note of the unique Tender ID assigned to each tender, in case they want to obtain any clarification / help from the Helpdesk.

## **PREPARATION OF BIDS**

- 1) Bidder should take into account any corrigendum published on the tender document before submitting their bids.
- 2) Please go through the tender advertisement and the tender document carefully to understand the documents required to be submitted as part of the bid. Please note the number of covers in which the bid documents have to be submitted, the number of documents - including the names and content of each of the document that need to be submitted. Any deviations from these may lead to rejection of the bid.
- 3) Bidder, in advance, should get ready the bid documents to be submitted as indicated in the tender document / schedule and generally, they can be in PDF / XLS / RAR / DWF/JPG formats. Bid documents may be scanned with 100 dpi with black and white option which helps in reducing size of the scanned document.
- 4) To avoid the time and effort required in uploading the same set of standard documents which are required to be submitted as a part of every bid, a provision of uploading such standard documents (e.g. PAN card copy, annual reports, auditor certificates etc.) has been provided to the bidders. Bidders can use "My Space" or "Other Important Documents" area available to them to upload such documents. These documents may be directly submitted from the "My Space" area while submitting a bid, and need not be uploaded again and again. This will lead to a reduction in the time required for bid submission process.

**Note: My Documents space is only a repository given to the Bidders to ease the uploading process. If Bidder has uploaded his Documents in My Documents space, this does not automatically ensure these Documents being part of Technical Bid.**

## **SUBMISSION OF BIDS**

1. Bidder should log into the site well in advance for bid submission so that they can upload the bid in time i.e. on or before the bid submission time. Bidder will be responsible for any delay due to other issues.
2. The bidder has to digitally sign and upload the required bid documents one by one as indicated in the tender document.
3. Bidder has to select the payment option as "offline" to pay the tender fee / EMD (Bid Security Declaration) as applicable and enter details of the instrument.
4. Bidders are requested to note that they should necessarily submit their financial bids in the format provided and no other format is acceptable. If the price bid has been given as a standard BoQ format with the tender document, then the same is to be downloaded and to be filled by all the bidders. Bidders are required to download the BoQ file, open it and complete the white coloured (unprotected) cells with their respective financial quotes and other details (such as name of the bidder). No other cells should be changed. Once the details have been completed, the bidder should save it and submit it online, without changing the filename. If the BoQ file is found to be modified by the bidder, the bid will be rejected.
5. The server time (which is displayed on the bidders' dashboard) will be considered as the standard time for referencing the deadlines for submission of the bids by the bidders, opening of bids etc. The bidders should follow this time during bid submission.
6. All the documents being submitted by the bidders would be encrypted using PKI encryption techniques to ensure the secrecy of the data. The data entered cannot be viewed by unauthorized persons until the time of bid opening. The confidentiality of the bids is maintained using the secured Socket Layer 128 bit encryption technology. Data storage

encryption of sensitive fields is done. Any bid document that is uploaded to the server is subjected to symmetric encryption using a system generated symmetric key. Further this key is subjected to asymmetric encryption using buyers/bid openers public keys. Overall, the uploaded tender documents become readable only after the tender opening by the authorized bid openers.

7. The uploaded tender documents become readable only after the tender opening by the authorized bid openers.

8. Upon the successful and timely submission of bids (i.e. after Clicking "Freeze Bid Submission" in the portal), the portal will give a successful bid submission message & a bid summary will be displayed with the bid no. and the date & time of submission of the bid with all other relevant details.

9. The bid summary has to be printed and kept as an acknowledgement of the submission of the bid. This acknowledgement may be used as an entry pass for any bid opening meetings.

10. The off-line tender shall not be accepted and no request in this regard shall be entertained whatsoever.

11. All entries in the tender should be entered in online Technical & Commercial Formats without any ambiguity.

12. Any order resulting from this e-tender shall be governed by the terms and conditions mentioned therein.

13. No deviation to the technical and commercial terms & conditions are allowed.

14. The tender inviting authority has the right to cancel this e-tender or extend the due date of receipt of the bid(s).

### **ASSISTANCE TO BIDDERS**

1) Any queries relating to the tender document and the terms and conditions contained there in should be addressed to the Tender Inviting Authority for a tender or the relevant contact person indicated in the tender.

2) Any queries relating to the process of online bid submission or queries relating to CPP Portal in general may be directed to the 24x7 CPP Portal Helpdesk.



## **SECTION 1 B: INSTRUCTION TO BIDDER (ITB)**

1. The bid should be submitted in two covers System-Technical Bid and Financial Bid through <https://eprocure.gov.in/>
2. **Technical Bid:** Documents related to the Technical Bid should be submitted in PDF format through eTendering portal <https://eprocure.gov.in/>.
3. **The Technical Bid should contain the following documents:**
  - a) Compliance statement of specifications as per **Annexure - 'A'**.
  - b) License certificate for manufacture /supply of the item & Factory license
  - c) Agreements/Purchase Orders/Completion certificates if any, for similar items from other Universities, Institutes, and Government Department/Undertakings/Public sectors the details of such supplies for the preceding three years should be given together with the prices eventually or finally paid with contact details of persons as per **Annexure – 'B'**.
  - d) List of Owner/partners of the firm and their contact numbers (Bidder Information)
  - e) Declaration of abandoned or suspended any awarded service & Blacklist Certificate. **Annexure 'C'**
  - f) Integrity Pact (for procurements above Rs1.0 Crore (Rs10.0 Million). **Annexure 'D'**
  - g) Copy of GST certificate & PAN No.
  - h) Catalog of the Product with detailed product specifications.
  - i) Undertaking that the successful BIDDER agrees to give a Performance Security amounting to 3% of the purchase order value in favor of "The Director, NITK Surathkal".
  - j) The copy of the Balance sheet, Profit & Loss A/c., Trade or Manufacturing A/c for the last 3 years should be enclosed and the turnover must be 30% of the estimated cost.
  - k) Duly filled in the checklist should be submitted along with the Technical Bid.
  - l) Contract form given in Section 5 needs to be submitted.
  - m) **EMD must be in the form of "Bid Security Declaration" (ANNEXURE – G) declaring disqualification of his bid in case the bid is withdrawn or modified by him during the bid validity period. The format of 'Bid Security Declaration' is available in the Tender document. 'Bid Security Declaration' duly signed be uploaded while submitting the e-bid. Tenders received without the 'Bid Security Declaration' will be rejected (except in the case of NSIC/MSME enlisted bidders ( under relevant NIC & Activity ) /Startups).**
4. **Financial bid :** The bidders should submit their financial bid as per the format given in Section 4 (A standard BoQ format has been provided with the tender document in the form of an Excel sheet) of the Notice Inviting Tender in the online bid through e-Tendering portal <https://eprocure.gov.in/>.After evaluation of technical bid, the technically

successful bidder shall be intimated to witness the opening of their financial bid along with date, time and venue through e-mail. The financial bid of only those bidders' will be opened who are declared "Technically Successful or Technically Responsive".

**5. Bid Evaluation:**

On the due date, the Technical bids will be opened and referred to the Purchase Committee which is duly constituted by the Director, NITK. The committee will go through the technical aspects of the tender and recommend shortlisted firms. The recommendation of the committee is final and binding on all the parties. The committee may visit the manufacturing site to assess the capabilities to manufacture the tendered items as per the specifications. In case of any remarks/default noted, the Company will be debarred from competing for bids in our esteemed Institute for a period of one year from the date of occurring of such breach.

**6. Quoting of Price(s):**

- a. The Indian bidder should quote firm prices in Indian rupee only unless otherwise specified elsewhere in this tender. Prices quoted in any other currency shall not be considered.
7. The Bid will be accepted only from the manufacturers (OEM) or its authorized supplier.
8. **The Institute reserves the right to visit the factory before or after the issue of supply order to satisfy itself regarding the quality of production. In case of any remarks /default noted, the Company will be debarred from competing for bids in our esteemed Institute for a period of one year from the date of occurring of such breach.**
9. **The item to be used is strictly according to the specification and subject to test by the Institute/concerned authorities. It must be delivered and installed in good working condition.**
10. The incomplete or conditional tender will be rejected.
11. The Institute reserves the right to cancel at any time after acceptance of the tender with a notice. The Supplier shall have no claim to any payment of compensation or otherwise whatsoever, on account of any profit or advantage which might have derived from the execution of the supply.
12. **Performance Security** The successful bidder shall deposit performance security of 3% of the quoted price in the form of Bank Guarantee (ANNEXURE -F) / Demand Draft / Fixed Deposit Receipt of any scheduled bank drawn in favour of **The Director, NITK Surathkal, Mangaluru** payable at Mangaluru. In case the bidder fails to deposit the said Performance Security within the stipulated period, including the extended period if any, the Earnest Money Deposited by the bidder shall be forfeited automatically without any notice. Please note the following points:
  - a) **Successful bidder should submit performance Security as prescribed above to the purchase Section, NITK Surathkal, on or before 30 days from the date of issue of order acknowledgment.**

- b) Performance Security shall be for the due and faithful performance of the contract and shall remain binding, notwithstanding such variations, alterations for extensions of time as may be made, given, conceded or agreed to between the successful bidder and the purchaser under the terms and conditions of acceptance to tender.
- c) The successful bidder is entirely responsible for the due performance of the contract in all respects according to the terms and conditions of the tender.
- d) The validity of the Performance Security must cover the warranty period plus two months.

**13. The validity of bids:** The rate quoted should be valid for a minimum of 180 days. No claim for escalation of the rate will be considered after opening the Tender.

**14. Clarification of Tender Document:** Through pre-bid Conference (Under Section 1, clause No. 35).

**15. Amendment of Tender document:** At any time prior to the last date for receipt of bids, Institute may for any reason, whether at its own initiative or in response to a clarification requested by a prospective bidder, modify the Tender document by an amendment. Further, Institute may at its own discretion extend the last date for the receipt of bids.

**16.** The bids shall be written in English language and any information printed in another language shall be accompanied by an English translation, in which case for the purpose of interpretation of the bid, the English translation shall govern.

**17.** The Institute reserves the right of accepting any bid other than the lowest or even rejecting all the bids. The decision of the Purchase Committee is final in all matters of tender and purchase.

**18. Cancellation of Tender:** Notwithstanding anything specified in this tender document, NITK Surathkal in its sole discretion, unconditionally and without having to assign any reasons, reserves the rights:

- a) To accept OR reject lowest tender or any other tender or all the tenders.
- b) To accept any tender in full or in part.
- c) To reject the tender offer not conforming to the terms of the tender.
- d) To give purchase preference to Public Sector undertakings when applicable as per Govt. Policy/ Guidelines.

**19. Delivery Period:** The Delivery Period/Time shall be deemed to be the essence of the Contract and delivery must be completed not later than such date(s). If the Supplier does not perform its obligations within the Delivery Period/Date mentioned in the Contract, the same would constitute the breach of the Contract and the Institute shall have the right to cancel or withdraw the Contract for the unsupplied portion after the expiry of the original or extended delivery date or period stipulated in the Contract. Such cancellation of the contract on account of non-performance by the Supplier would entitle the Buyer to forfeit the Performance Security besides other actions such as debarment from the Institute as per GFR 2017.

**20. Liquidated Damages:** Timely delivery is the essence of contract and hence if the Supplier fails to deliver Goods within the original/extended delivery period(s) specified in the contract, the Institute will be entitled to deduct/recover the Liquidated Damages for the delay, unless covered under Force Majeure conditions aforesaid, **@ 1% per week or**

**part of the week of delayed period** as pre-estimated damages not exceeding 10% of the contract value without any controversy/dispute of any sort whatsoever.

**21. Terms of Payment:**

- a. Payment within 30 days from the date of delivery and Acceptance Certificate of concerned Department/Section/Purchase Section.
- b. Payment shall be made by Cheque or such other mode/electronic fund transfer offered by the Bank. NITK, Surathkal will not pay advance payment to the party. Any request for Advance payment will be rejected summarily. In case if it is necessary, the advance payment will be paid strictly against Bank Guarantee only.
- c. Payment will be made by Standard Payment terms and conditions of NITK, Surathkal as per tender document only. Any request for a change in payment terms and conditions will not be accepted.
- d. If the above conditions are not acceptable then tender will be rejected.

**22.** Bidders are advised to inspect and examine the site and its surroundings and satisfy themselves before submitting their bid as to the nature of the installation site, the means of access to the site and in general shall themselves obtain all necessary information as to risks, contingencies and other circumstances which may influence or affect their tender. A bidder shall be deemed to have full knowledge of the site whether he inspects it or not and no extra charges consequent on any misunderstanding or otherwise shall be allowed. Submission of a bid by a bidder implies that he has read this notice and all other contract documents and has made himself aware of the scope and specifications of the installation to be done and local conditions and other factors having a bearing on the execution of the bid.

**23.** If there are varying or conflicting provisions made in any one document forming part of the contract, the Accepting Authority shall be the deciding authority with regard to the intention of the document and his decision shall be final and binding on the bidder.

**24.** The rate quoted by the bidder **shall be firm throughout the contract** period and there shall be no revision of the rates for any reasons whatsoever. It should be clearly understood that any claim for changes will not be entertained in any case once the bids are opened.

**25. One bid per bidder:** Each bidder shall submit only one bid either by himself or by representing a firm.

**26. Cost of bid:** The bidder shall bear all costs associated with the preparation and submission of his bid. The Institute in no case shall be responsible or liable for those costs.

**27.** The bidder shall not make or cause for any alteration, erasure or obliteration to the text of the tender document.

**28.** The Institute will declare a bidder ineligible, either indefinitely or for a specified period of time, at the sole discretion of the Institute, for the award of contract/ participating in any other tender, if at any time the Institute determines that he has furnished false information/ engaged in corrupt or fraudulent practices.

**29.** If any overpayment is detected as a result of the post-payment audit, it shall be recovered by the Institute from the Supplier out of his Performance Security.

- 30. Determination of successful bidder:** The technically qualified bidder whose offer is evaluated as the **lowest total bid** shall be the successful bidder subject to its meeting the statutory requirements.
- 31. Price variation:** The rate quoted by the bidder shall be firm throughout the contract period. No price variation clause is applicable to this contract.
- 32. CANVASSING:**
- a) Canvassing in connection with tenders is strictly prohibited and the Tenders submitted by the Tenderers who resort to canvassing shall be liable to rejection.
  - b) Subject to the provisions concerning clarification of Bids, no Bidder shall contact the purchase committee on any matter relating to its bid from the time of the bid opening up to the time that the contract is awarded.
  - c) Any effort by the Bidder or Bidder's representative however described to influence the purchase committee in any way concerning scrutiny, consideration, evaluation of the Bid(s) or decision concerning award of contract shall entail rejection of Bid and action against the bidder as deemed fit.
  - d) The purchase committee will deal with the Bidder on a Principal basis, without involvement in any manner in India or abroad of any agent or consultant or associate or another person howsoever described.
- 33. Legal Matter:** All Domestic and International disputes are subject to Mangaluru Jurisdiction only.
- 34. Pre-Bid Conference:**
- a) All prospective bidders are requested to kindly submit their queries through E-mail to \_\_\_\_\_ & cc to \_\_\_\_\_ so as to reach the buyer, on or before 4.00 p.m. on dd/mm/yyyy (**NOT APPLICABLE**)
  - b) A Pre-bid Conference shall be held as indicated in Invitation to Bid. All prospective bidders are requested to kindly attend the Pre-bid Conference. In order to facilitate NITK for the proper conduct of the Pre-bid Conference, all prospective bidders are requested to kindly submit their queries through E-mail to the indicated mail address (with Tender No. and Date) so as to reach the Buyer as indicated in Invitation to Bid.
  - c) NITK shall answer the queries during the pre-bid conference, which would become a part of the proceedings of the Pre-bid Conference. These proceedings will, in turn, become a part of clarifications/amendments to the bidding documents and would become binding on all the prospective bidders. These proceedings would also be hosted on NITK website [www.nitk.ac.in](http://www.nitk.ac.in) for the benefit of all prospective bidders. Before formulating and submitting their bids, all prospective bidders are advised to surf through the NITK website after the Pre-bid Conference, in order to enable them to take cognizance of the changes made in the bidding document.
  - d) Any Statement made at the pre-bid conference shall not modify the terms of the bidding documents unless such statement is made part of clarification in the proceeding of Pre-Bid Conference
  - e) Only queries formally submitted in advance, will be answered in the pre-bid conference and will become part of the Corrigendum/Amendment.
- 35. Relaxation for Startup, MSEs, Make in India will be as per GOI norms.**

## SECTION 2: CONDITIONS OF CONTRACT.

1. The supplier should quote the rate for Door Delivery (FOR)..
2. The Rate should be quoted in INR only.
3. The item should be landed at NITK Surathkal and this responsibility is with the bidder.
4. No custom duty exemption certificate will be provided from the institute.
5. The rate quoted should be on per unit basis. Taxes and other charges should be quoted separately, considering exemptions, if any.
6. Rate quoted should be inclusive of Testing, Commissioning and Installation of Equipment and Training.
7. **Payment:** No advance payment will be made. Payment will be made only after the supply and installation of the item in good and satisfactory condition and receipt of performance security by the supplier.
8. Guarantee and Warranty period should be specified for the complete period conforming to Section 3 of this tender document.
9. The period required for the supply and installation of Equipment should be specified conforming to Section 3 of this tender document.
10. In case of dispute, the matter will be subject to Mangaluru Jurisdiction only.

**SECTION 3: SCHEDULE OF REQUIREMENTS, SPECIFICATIONS AND ALLIED DETAILS**

[To be filled up by the Department / Center of NITK, Surathkal]

Item(s) Name to be Procured : “Supply of furniture to Mechanical Engineering Department in NITK, Surathkal”

Type (Equipment/Software/Furniture/Others) : Furniture

Brief Specifications of the Item(s)  
(Attach Additional Sheet if necessary) : (As Per **Annexure-H**)

Quantity : (As Per BOQ)

Any other details/requirement :

Warranty Period (in months) : 62 Months

Delivery Schedule expected  
after the release of a Purchase order : 45 Days

Performance Security to be given  
by Successful Bidder after release of  
Purchase Order (in Rupees) : 3% of Purchase Order

**SECTION 4 - PRICE BID**  
**[To be used by the bidder for submission of the bid]**

Tender Inviting Authority:

Name of Work/Goods/Services: "Supply of furniture to Mechanical Engineering Department in NITK, Surathkal"

Contract No:

Name of the Bidder/ Bidding Firm / Company :

**PRICE SCHEDULE**

(This BOQ template must not be modified/replaced by the bidder and the same should be uploaded after filling the relevant columns, else the bidder is liable to be rejected for this tender. Bidders are allowed to enter the Bidder Name and Values only )

Number	TEXT #	NUMBE R #	TEX T #	NUMBER #	NUMB ER	NUMBE R	NUMBE R	NUMBER #	NU MBE R #	TEXT #
Sr. No.	Item Description	Quantity	Units	BASIC RATE in Figures To be entered by the Bidder in Rs. P	COST	GST rate in %	GST Amount	TOTAL AMOUNT Without Taxes in Rs. P	TOT AL AM OUT with Tax es Rs. P	TOTA L AMOU NT In Words
1										
2										
3										
4										
5										
6										
7										
8										
Total in Figures										
Quoted Rate in Words										



**SECTION 5:CONTRACT FORM**

[To be provided by the bidder in the business letter head]

---

1. (Name of the Supplier's Firm) hereby abide to deliver by the delivery schedule mentioned in section 3 tender document for supply of the items if the purchase order is awarded.
2. The item will be supplied conforming to the specifications stated in the tender document without any defect and deviations.
3. Warranty will be given for the period mentioned in the tender document and service will be rendered to the satisfaction of NITK, Surathkal during this period.

Signature of the Bidder : \_\_\_\_\_

Name and Designation: \_\_\_\_\_

Business Address : \_\_\_\_\_  
\_\_\_\_\_

Place:

Date:

Seal of the Bidder's Firm

**Compliance Statement of Specifications**

<b>Sl.No.</b>	<b>Name of specification/Part/Accessories of tender enquiry</b>	<b>Specifications of the quoted Model / Item</b>	<b>Compliance Whether YES or NO</b>	<b>Deviations if any to be indicated in unambiguous terms</b>

**(Add more rows if required)**

**Signature and Seal of the Bidder**

**Previous Supply Orders Executed**

Name of the firm: \_\_\_\_\_

Order placed by [Full address of the purchaser]	Order No. and Date	Order Value	Specified Delivery Date	Actual Delivery Date	Remarks indicating reasons for late delivery, if any and justification for the price difference of their supply order and those quoted to us	Has the equipment been installed satisfactorily?	Contact person along with telephone, mobile number, fax, and E-mail address (other Universities, Institutes, and Government Department/Undertakings/Public sectors)

(Add more rows if required)

**Signature and Seal of the Bidder**

**FORMAT OF DECLARATION**  
**(To be submitted on Letterhead)**

I/We Mr./Ms. \_\_\_\_\_, S/o/ of Mr. \_\_\_\_\_ aged about \_\_\_\_\_ years, resident of \_\_\_\_\_  
, working as -----(designation) for ----- (name and address of the bidding agency).

I solemnly affirm and the state as under:

1. That I am working as ----- /proprietor of the ----- (name of the firm) and authorized to sign this declaration.
2. That the firm M/s---- (complete address of the firm) has not abandoned or suspended any contract work of any organization/ department so far/ during the previous five financial years.
3. That the firm M/s---- (complete address of the firm) has not been blacklisted/ debarred for competing in tenders by any organization/ department so far/ during the previous five financial years.
4. I solemnly confirm that the facts stated above are true and nothing has been concealed.

**Seal and Signature of Bidder**

**INTEGRITY PACT AGREEMENT**

***(To be signed by the bidder/same signatory authorized to sign the relevant contact)***

This Integrity Agreement is made at Surathkal on this ..... day of .....20 .....

**BETWEEN**

National Institute of Technology Karnataka, Surathkal, an Institute of National Importance (under NIT Act -2007) represented through The Registrar, NITK, Surathkal (hereinafter referred as the ‘**Buyer**’, which expression shall unless repugnant to the meaning or context hereof include its successors and permitted assigns)

**AND**

.....  
(Name and Address of the Individual/Firm/Company)

Through ..... (Hereinafter referred to as the “Bidder/Contractor” and which expression shall unless repugnant to the meaning or context hereof include its succession and permitted assigns)

**Preamble**

WHEREAS **NITK Surathkal** has floated the Tender (Hereinafter referred to as “Tender/Bid”) and intends to award, underlaid down organizational procedure, contract for “Equipment”

[Hereinafter referred to as the “**Contract**”).

AND WHEREAS the Principal/Owner values full compliance with all relevant laws of the land, rules, regulations, economic use of resources and of fairness/transparency in its relation with its Bidder(s) and Contractor(s).

AND WHEREAS to meet the purpose aforesaid both the parties have agreed to enter into this Integrity Agreement (hereinafter referred to as “**Integrity Pact**” or “**Pact**”), the terms and conditions of which shall also be read as integral part and parcel of the Tender/Bid documents and Contract between the parties.

NOW, THEREFORE, in consideration of mutual covenants contained in this Pact, the parties hereby agree as follows and this witness as under:

Seal and Signature of the bidder

Registrar, for NITK Surathkal

## **Article 1: Commitment of NITK Surathkal**

- i. **NITK Surathkal** commits to take all measures necessary to prevent corruption and to observe the following principles:
  - (a) No employee of NITK Surathkal, personally or through any of his/her family members, will in connection with the Tender, or the execution of the Contract, demand, take a promise for or accept, for self or third person, any material or immaterial benefit which the person is not legally entitled to.
  - (b) NITK Surathkal will, during the Tender process, treat all Bidder(s) with equity and reason. NITK Surathkal will, in particular, before and during the Tender process, provide to all Bidder(s) the same information and will not provide to any Bidder(s) confidential/additional information through which the Bidder(s) could obtain an advantage in relation to the Tender process or the Contract execution.
  - (c) NITK Surathkal shall endeavour to exclude from the Tender process any person, whose conduct in the past has been of biased nature.
- ii. If NITK Surathkal obtains information on the conduct of any of its employee which is a criminal offence under the Indian Penal code (IPC)/Prevention of Corruption Act, 1988 (PC Act) or is in violation of the principles herein mentioned or if there be a substantive suspicion in this regard, NITK Surathkal will inform the Chief Vigilance Officer and in addition can also initiate disciplinary actions as per its internal laid down policies and procedures.

## **Article 2: Commitment of the Bidder(s)/ Contractor(s)**

- 1) It is required that each Bidder/Contractor (including their respective officers, employees and agents) adheres to the highest ethical standers, and report to the Government / Department all suspected acts of **fraud or corruption or Coercion or Collusion** of which it has knowledge or becomes aware, during the tendering process and through the negotiation or award of a contract.
- 2) The Bidder(s)/Contractor(s) commit himself to take measures necessary to prevent corruption. He commits himself to observe the following principles during his participation in the Tender process and during the Contact execution:
  - a. The Bidder(s)/Contractor(s) will not, directly or through any other person or firm, offer, promise or give to any of the Principal/Owner's employees involved in the Tender process or execution of the Contractor to any third person any material or other benefit which he/she is not legally entitled to, in order to obtain in exchange any advantage of any kind whatsoever during the Tender process or during the execution of the Contractor.

Seal and Signature of the bidder

Registrar, for NITK Surathkal

- b. The Bidder(s)/Contractor(s) will not enter with other Bidder(s) into an undisclosed agreement or understanding, whether formal or informal. This applies in particular to prices, specifications, certifications, subsidiary contracts, submission or non-submission of bids or any other actions to restrict competitiveness or to cartelize in the bidding process.
  - c. The Bidder(s)/Contractor(s) will not commit any offense under the relevant IPC/PC Act. Further, the Bidder(s)/Contractor(s) will not use improperly, (for the purpose of competition or personal gain), or pass on to others, any information or documents provided by the Principal/Owner as
  - d. part of the business relationship, regarding plans, technical proposals and business details, including information contained or transmitted electronically.
  - e. The Bidder(s)/Contractor(s) of foreign origin shall disclose the names and address of agents/representatives in India if any. Similarly, Bidder(s)/Contractor(s) of Indian Nationality shall disclose names and address of foreign agents/representatives if any. Either the Indian agent on behalf of the foreign principals or the foreign principal directly could bid in a tender but not both. Further, in cases where an agent participates in a tender on behalf of one manufacturer, he shall not be allowed to quote on behalf of another manufacturer along with the first manufacturer in a subsequent/parallel tender for the same item.
  - f. The Bidder(s)/Contractor(s) will, when presenting his bid, disclose any and all payments he has made, is committed to or intends to make to agents, brokers or any other intermediaries in connection with the award of the Contract.
- iii. The Bidder(s)/Contractor(s) will not instigate third persons to commit offenses outlined above or be an accessory to such offenses.
  - iv. The Bidder(s)/Contractor(s) will not, directly or through any other person or firm indulge in fraudulent practice **means a willful misrepresentation or omission of facts or submission of fake/forged documents in order to induce public official to act in reliance thereof, with the purpose of obtaining unjust advantage by or causing damage to justified interest of others and/or to influence the procurement process to the detriment of the Government interests.**
  - v. The Bidder(s)/Contractor(s) will not, directly or through any other person or firm use Coercive practices (means the act of obtaining something, compelling an action or influencing a decision through intimidation, there or the use of force directly or indirectly, where potential or actual injury may befall upon a person, his/her reputation or property to influence their participation in the tendering process).

Seal and Signature of the bidder

Registrar, for NITK Surathkal

### **Article 3: Consequences of Breach**

Without prejudice to any rights that may be available to NITK Surathkal under law or the Contract or its established policies and laid down procedures, the Principal/Owner shall have the following rights in case of breach of this Integrity Pact by the Bidder(s)/Contractor(s) and the Bidders/Contractor accepts and undertakes to respect and uphold the Principal/Owner's absolute right:

- 1) If the Bidder(s)/Contractor(s), either before awarded or during execution of Contract has committed a transgression through a violation of Article 2 above or in any other form, such as to put his reliability or credibility in question, the Principal/Owner after giving 14 day notice to the contractor shall have powers to disqualify the Bidder(s)/Contractor(s) from the Tender process or terminate/determinate the Contract - if already executed, or exclude the Bidders/Contractor from future contract award processes. The imposition and duration of the exclusion will be determined by the severity of transgression and determined by the Principal/Owner. **Such exclusion may be forever or for a limited period as decided by NITK Surathkal.**
- 2) **Forfeiture of EMD/Performance Guarantee/Security Deposit:** If NITK Surathkal has disqualified the Bidder(s) from the tender process prior to the award of the Contract or terminate/determinate the Contractor has accrued the right to terminate/determinate the Contract according to Article 3(1), the Principal/Owner apart from exercising any legal rights that may have accrued to NITK Surathkal, may in its considered opinion forfeit the entire amount of Earnest Money Deposit, Performance Security of the Bidders/Contractor.
- 3) **Criminal Liability:** If NITK Surathkal obtains knowledge of conduct of a Bidder or Contractor, or of an employee or a representative or an associate of a Bidder or Contractor which constitutes corruption within the meaning of Indian Penal code (IPC)/Prevention of Corruption Act, or if the Principal/Owner has substantive suspicion in this regard, NITK Surathkal will inform the same to law enforcing agencies for further investigation.

### **Article 4: Previous Transgression**

- 1) The Bidder declares that no previous transgressions occurred in the last 5 years with any other Company in any country conforming to the anti-corruption approach or with Central Government or State Government or any other Central/State Public Enterprises in India that could justify his exclusion from the Tender process.
- 2) If the Bidder makes an incorrect statement on this subject, he can be disqualified from the Tender process or action can be taken for banning of business dealings/ holiday listing of the Bidder/Contractor as deemed fit by the Principal/Owner.
- 3) If the Bidder/Contractor can prove that he has resorted/recouped the damage caused by him and has installed a suitable corruption prevention system, the Principal/Owner may, at its own discretion, revoke the exclusion prematurely.

Seal and Signature of the bidder

Registrar, for NITK Surathkal



### **Article: 5 Equal Treatment of all Bidder/Contractors/Subcontractors**

- 1) The Bidder(s)/Contractor(s) undertake(s) to demand from all subcontractors a commitment in conformity with this Integrity Pact. The Bidders/Contractor shall be responsible for any violation(s) of the principles laid down in this agreement/Pact by any of its Sub-contractors/sub-vendors.
- 2) The Principal/Owner will enter into pacts on identical terms as this one with all Bidders and Contractors.
- 3) The Principal/Owner will disqualify Bidders, who do not submit, the duly signed pact between the Principal/Owner and the bidder, along with the Tender or violate its provisions at any stage of the Tender process, from the Tender process.

### **Article 6: Duration of the Pact**

This Pact begins when both the parties have legally signed it. It expires for the Contractor/Vendor 12months after the completion of work under the contractor or till the continuation of defect liability period, whichever is more and for all other bidders, till the Contract has been awarded.

If any claim is made/lodged during the time, the same shall be binding and continue to be valid despite the lapse of this pacts as specified above, under it is discharged/determined by the Competent Authority of NITK, Surathkal.

### **Article 7: Other Provisions**

- 1) This Pact is subject to Indian Law, place of performance and jurisdiction is **Mangaluru**, the Headquarters of NITK Surathkal, who has floated the Tender.
- 2) Changes and supplements need to be made in writing. Side agreements have not been made.
- 3) If the Contractor is a partnership or a consortium, this Pact must be signed by all the partners or by one or more partner holding power of attorney signed by all partners and consortium members. In the case of a Company, the Pact must be signed by a representative duly authorized by board resolution.
- 4) Should one or several provisions of this Pact turn out to be invalid; the remainder of this Pact remains valid. In this case, the parties will strive to come to an agreement to their original intentions.
- 5) It is agreed on term and condition that any dispute or difference arising between the parties with regard to the terms of this Integrity Agreement / Pact, any action was taken by the Owner/Principal in accordance with this **Integrity Agreement/Pact or interpretation thereof shall not be subject to arbitration.**

Seal and Signature of the bidder

Registrar, for NITK Surathkal

**Article 8: LEGAL AND PRIOR RIGHTS**

All rights and remedies of the parties hereto shall be in addition to all the other legal rights and remedies belonging to such parties under the Contract or law and the same shall be deemed to be cumulative and not alternative to such legal rights and remedies aforesaid. For the sake of brevity, both the Parties agree that this Integrity Pact will have precedence over the Tender/Contract documents with regard to any of the provisions covered under this Integrity Pact.

IN WITNESS WHEREOF the parties have signed and executed this Integrity Pact at the place and date first above mentioned in the presence of following witnesses:

.....  
(For and on behalf of NITK Surathkal)

.....  
(For and on behalf of bidder/ contractor)

WITNESSES:

1. ....  
(Signature, name, and address)
  
2. ....  
(Signature, name, and address)

Place: Surathkal.

Dated:

**Format for Bank Account details of the bidder**

Name of the account holder (bidder)	
Complete address	
Contact number	
Email address	

Bank Account details:

Bank name	
Branch name	
MICR number	
Account type	
Account Number	
Please re-type Account number again	
IFSC code of the Bank	

I hereby declare that the particulars given above are correct and complete. If the transaction is delayed or not effected at all for reasons of incomplete or incorrect information, I would not hold the Institute responsible for this.

I have read the option invitation letter and agree to discharge responsibility expected of me as a participant under the scheme.

Seal and signature of the bidder.

**Certification from the banker:**

Certified that the particulars furnished above are correct as per our records.

Seal and signature of the authorized officer of the bank.

**FORMAT FOR PERFORMANCE GUARANTEE BOND****(To be typed on Non-judicial stamp paper of the value of Indian Rupees of One Hundred)**

(TO BE ESTABLISHED THROUGH ANY OF THE NATIONAL BANKS (WHETHER SITUATED AT MANGALURU OR OUTSTATION) WITH A CLAUSE TO ENFORCE THE SAME ON THEIR LOCAL BRANCH AT MANGALURU OR ANY SCHEDULED BANK (OTHER THAN NATIONALISED BANK) SITUATED AT MANGALURU. BONDS ISSUED BY CO-OPERATIVE BANKS ARE NOT ACCEPTED.)

To,  
Director,  
National Institute of Technology Karnataka,  
Srinivasnagar P.O., Surathkal  
Mangaluru – 575025

**LETTER OF GUARANTEE**

WHEREAS National Institute of Technology Karnataka (Buyer) has invited Tenders vide Tender No..... Dt. .... for purchase of ..... AND WHEREAS the said tender document requires that any eligible successful tenderer (seller) wishing to supply the equipment/machinery, etc.in response thereto shall establish an irrevocable Performance Guarantee Bond in favour of **“The Director, National Institute of Technology Karnataka, Surathkal”** in the form of Bank Guarantee for Rs ..... (**3% (Three percent) of the purchase value**) and valid till **one year or up to warranty period whichever is later** from the date of issue of Performance Guarantee Bond may be submitted within 30 (Thirty) days from the date of Order Acknowledgement as a successful bidder.

NOW THIS BANK HEREBY GUARANTEES that in the event of the said tenderer (seller) failing to abide by any of the conditions referred in tender document/purchase order/performance of the equipment/machinery, etc. this Bank shall pay to National Institute of Technology Karnataka, Surathkal on demand and without protest or demur Rs ..... (Rupees.....). This Bank further agrees that the decision of National Institute of Technology Karnataka, Surathkal (Buyer) as to whether the said Tenderer (Seller) has committed a breach of any of the conditions referred in the tender document/purchase order shall be final and binding.

We, ..... (name of the Bank & branch) hereby further agree that the Guarantee herein contained shall not be affected by any change in the constitution of the Tenderer (Seller) and/ or National Institute of Technology Karnataka, Surathkal (Buyer).

**Notwithstanding anything contained herein:**

1. Our liability under this Bank Guarantee shall not exceed Rs. .... (Indian Rupees ..... only).
2. This Bank Guarantee shall be valid up to .....(date) and
3. We are liable to pay the guaranteed amount or any part thereof under this bank guarantee only and only if National Institute of Technology Karnataka (NITK) Surathkal serve upon us a written claim or demand on or before.....(date). This Bank further agrees that the claims if any, against this Bank Guarantee, shall be enforceable at our branch office at ..... situated at ..... (Address of local branch).

Yours truly,  
Signature and seal of the guarantor:  
Name of Bank &Address:  
Date:

**Instruction to Bank:** Bank should note that on expiry of Bond Period, the Original Bond will not be returned to the Bank. The bank is requested to take appropriate necessary action on or after the expiry of the bond period.

Form of "Bid Security Declaration" - To be submitted in the **Letterhead of the Bidder**

**"BID SECURITY DECLARATION"**

To:  
**The Director,  
National Institute of Technology Karnataka, Surathkal.  
Post Srinivasnagar, Mangaluru – 575025.**

Sir,

Sub.: Submission of Bid Security/ EMD Declaration – Reg.

Ref.: Tenders invited for "-----" vide NIT No. -----

I/ We declare that:

1. I/ We understand that according to the tender document, bids must be accompanied by EMD or a Bid Security Declaration. Accordingly, I/ We have opted for submitting this Bid Security Declaration.
2. I/ We declare that I / We will not withdraw our bid during the Bid validity period or make any modifications to my/ our bid.
3. I/ We understand that if I/ we withdraw my/ our bid or modify the bid, I/ we will be automatically suspended from being eligible for bidding and also will be debarred from competing for bids in your esteemed Institute for a period of one year from the date of occurring of such breach.
4. I/ We understand that if I/ We fail to furnish the Performance Guarantee before the deadline specified in the LoA / Lol, my/ our bid will be automatically cancelled and I/ We will also be debarred from competing for bids in your esteemed Institute for a period of one year from the date of occurring of such breach.
5. I/ We further understand that if I/ We fail to sign the contract in case the work is awarded to me/ us or fail to furnish the Performance Guarantee, my/ our bid will be automatically cancelled and I/ We will also be debarred from competing for bids in your esteemed Institute for a period of one year from the date of occurring of such breach.
6. I/ We understand that this Bid Security Declaration will automatically expire if we are not the successful bidder/ upon the expiry of bid validity period.
7. I/ we declare that I am/ we are authorized to sign this declaration.

Duly signed this Declaration on this day - - 2020 in the presence of following witnesses:

**Signature of the Bidder with seal**

In the presence of:  
Signature of witness :  
Signature :  
Postal address :

In the presence of:  
Signature of witness :  
Signature :  
Postal address :

## Annexure-H

### Detailed Technical Specifications

#### Lot No. 01 Class Room Boards with provision for LCD Projection/ Writing with Marker and Chalk (White, Green Horizontal Sliding Board)



Back Fixed Board should be green to write with chalk

Figure 1

#### Lot No. 02 Podium

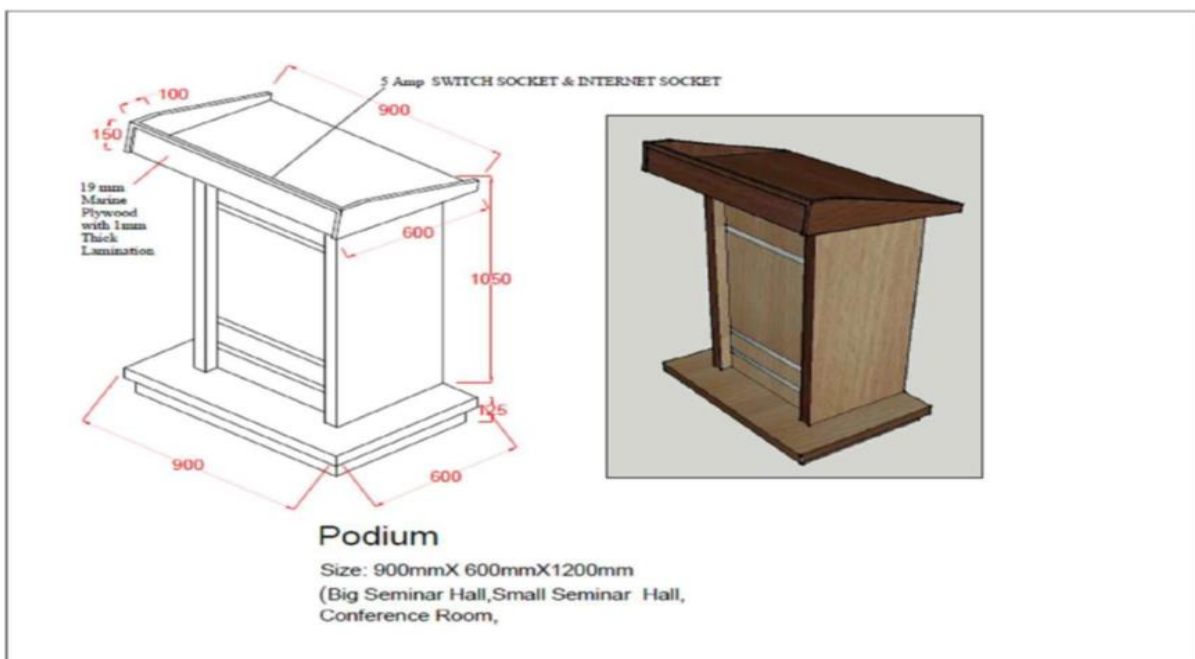
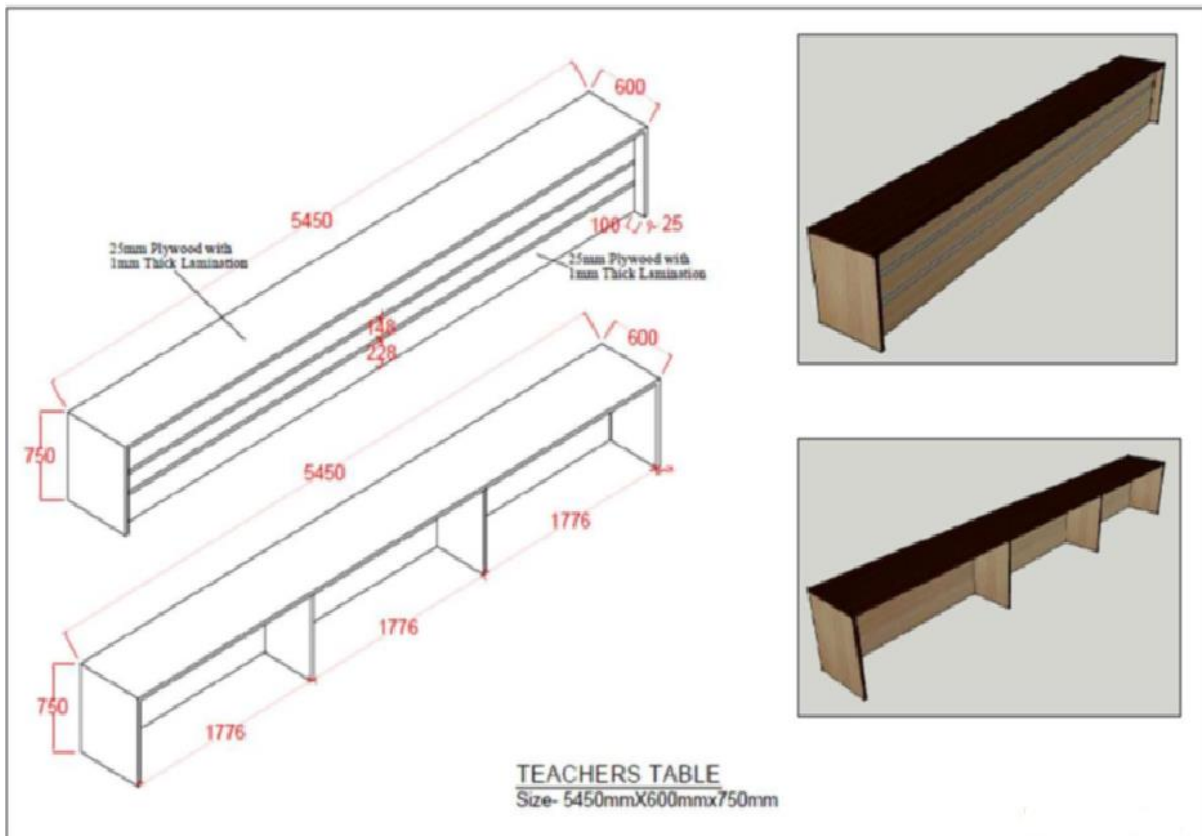


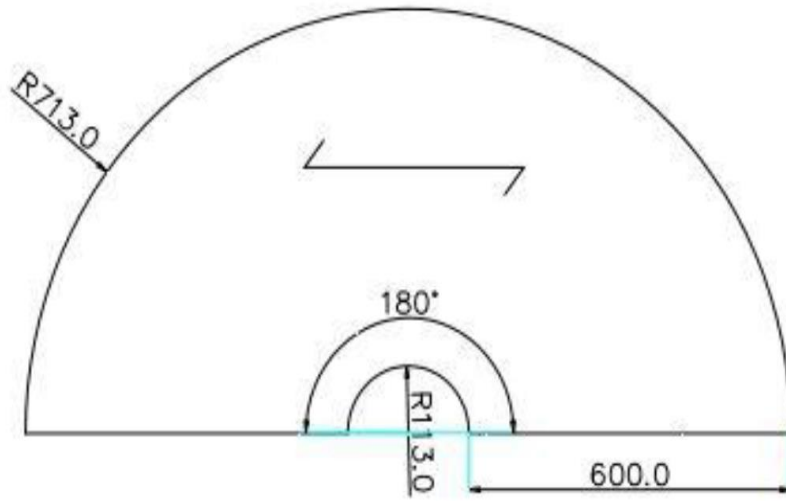
Figure 2

**Lot No. 03 Teachers table for Big Seminar Hall**

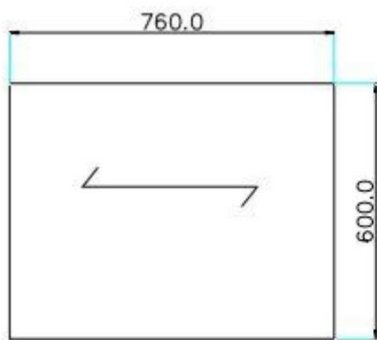


**Figure 3**

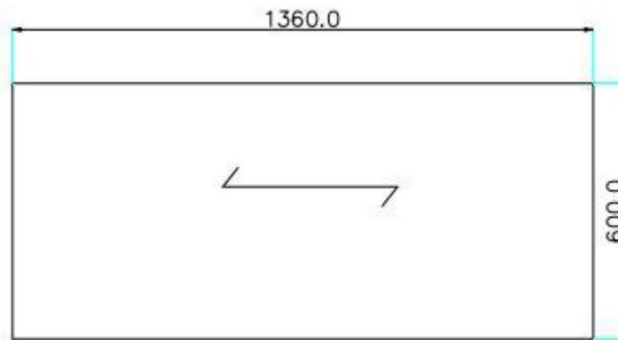
**Lot No. 04 Conference Table (34-Seater - Similar to Godrej SENATE) without chairs**



2-SEATER



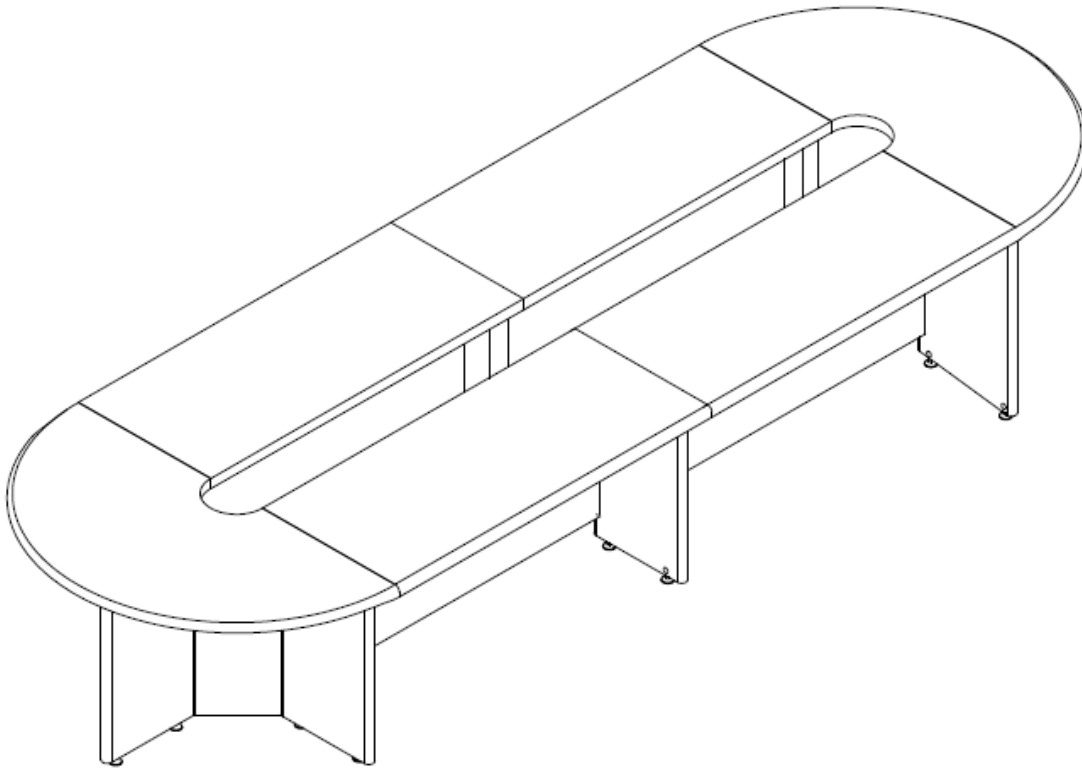
1-SEATER



2-SEATER

**Figure 04 34-Seater Conference Table**  
(2Nos Single Seater, 14 Nos Two-Seater & 2Nos Two-Seater (Half Circle))



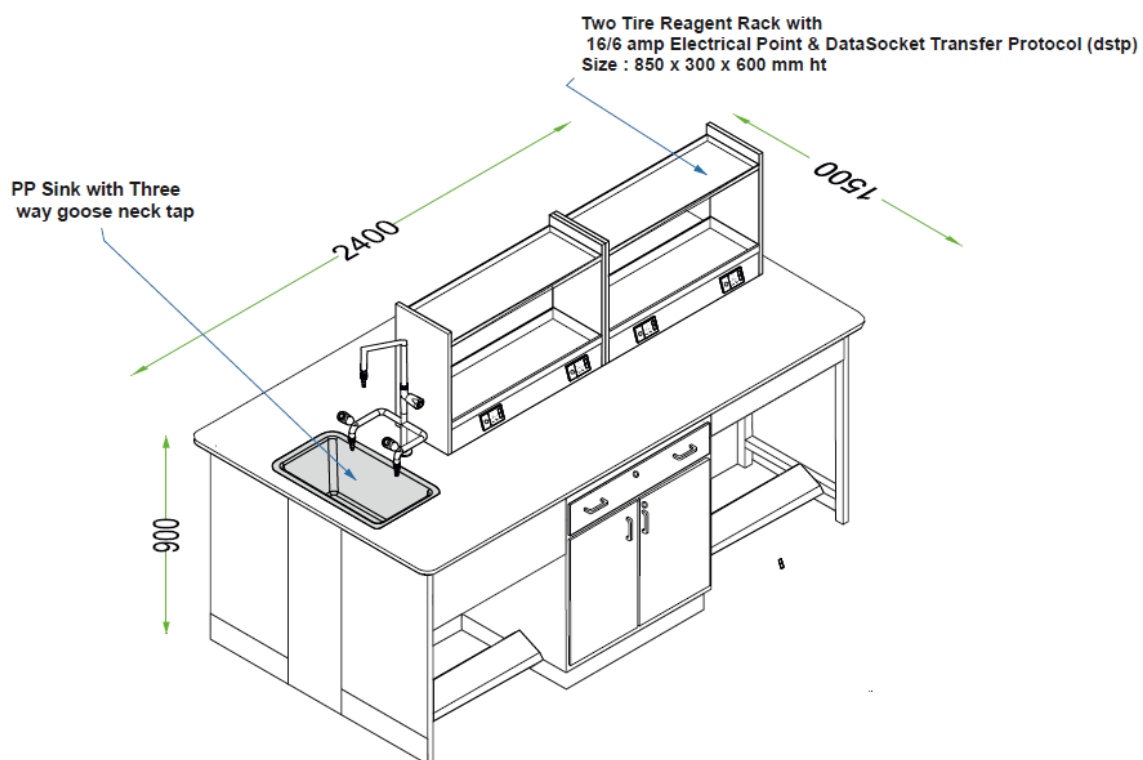


Picture used only for representation of the **CONFERENCE TABLE** not the actual diagram. We are procuring conference table without chairs



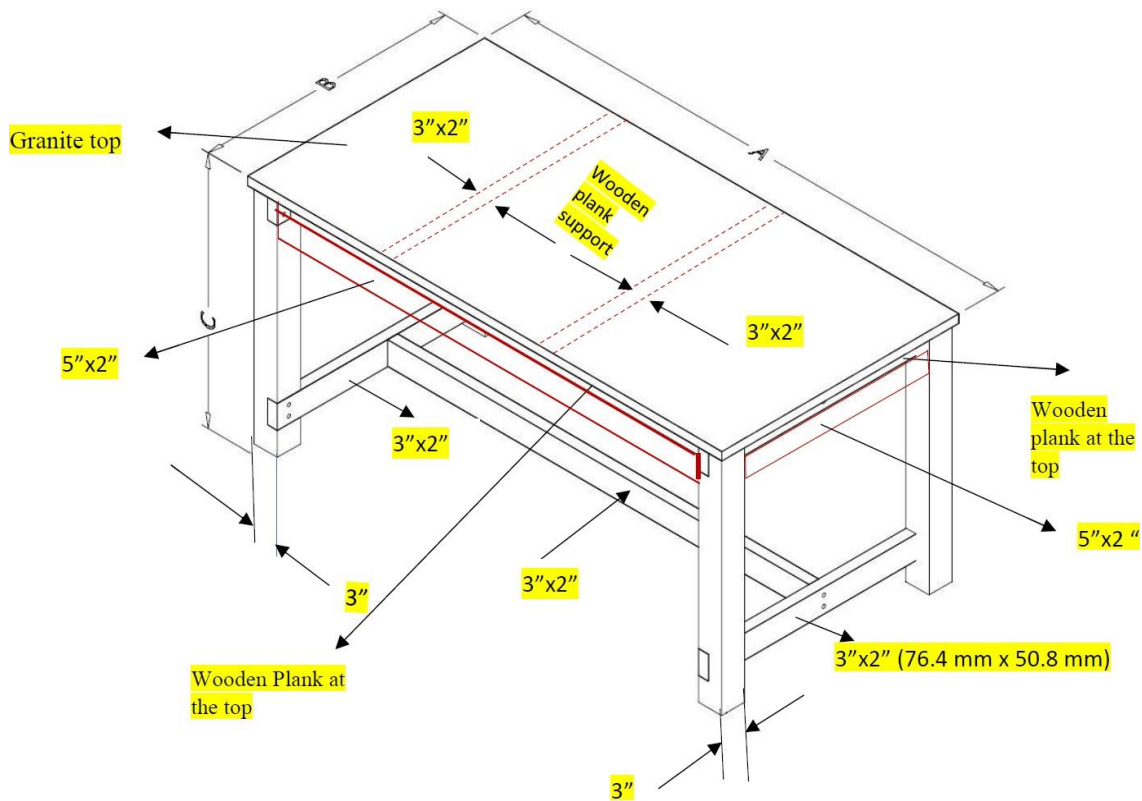
Picture used only for representation of the **CONFERENCE TABLE** not the actual diagram. We are procuring conference table without chairs

**Lot No. 05 Chemical Analysis Table (ISLAND TABLE MODULE)**



**Figure 5 ISLAND TABLE**

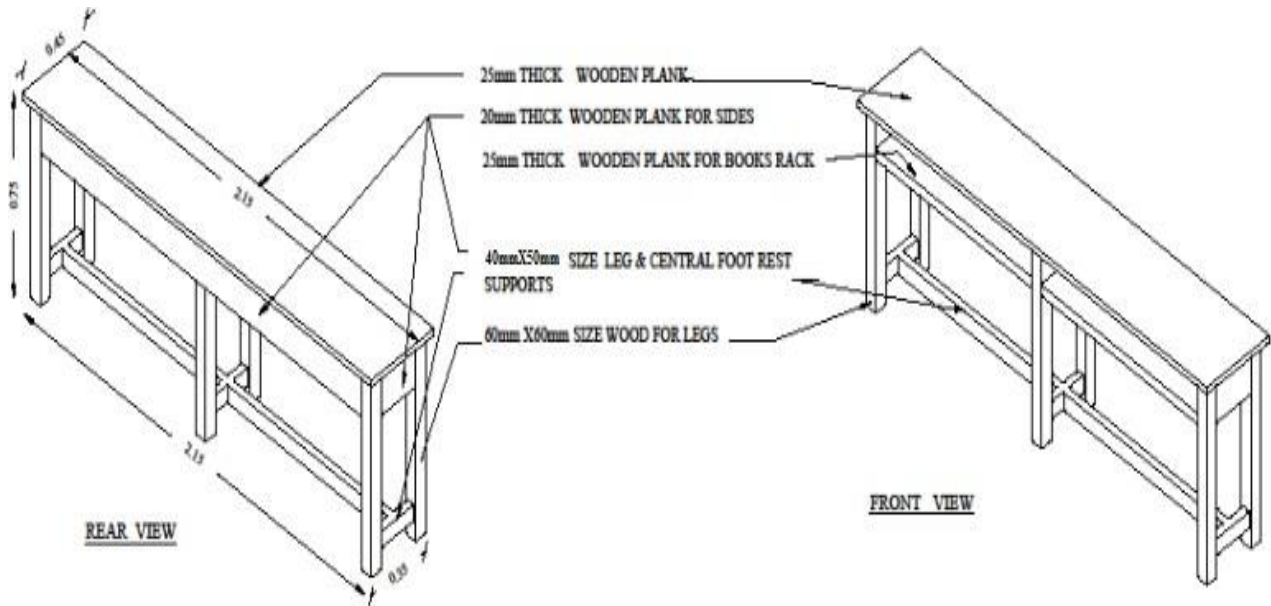
## Lot No. 06 Heavy Duty Table



A	1828 mm (6ft)
B	914.4 mm (3ft)
C	853 mm (2.8ft)
Thickness of Wooden Plank at the top	25.4 mm (1 inch)
Granite Top, made of finely polished thick jet-black Granite top with rounded edge	18 mm (0.059 ft)

**Figure 6: Heavy Duty table: Corrections highlighted in yellow color may be noted**

**Lot No. 07**  
**WOODEN DESK**

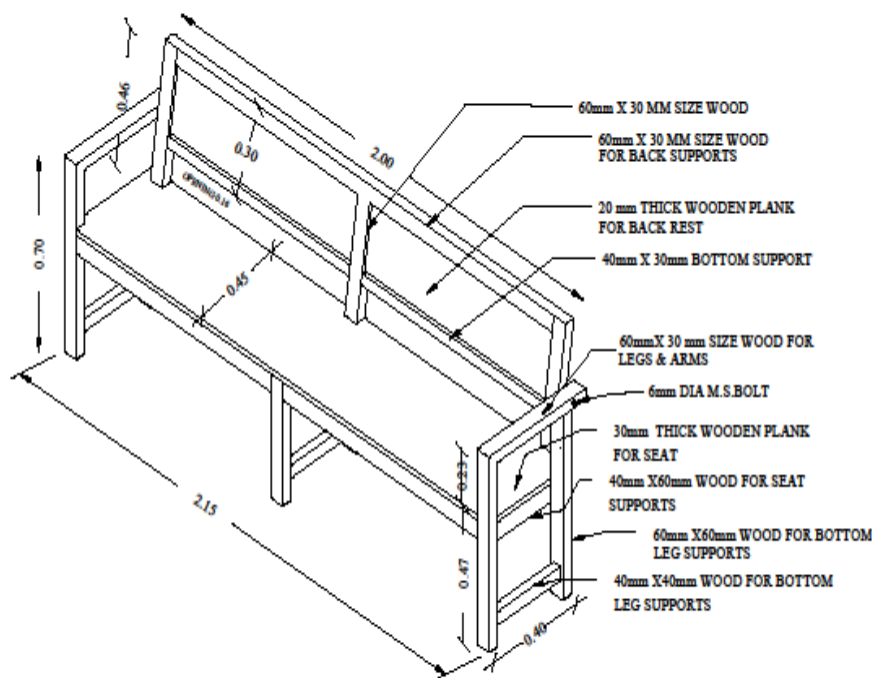


**WOODEN DESK**

**SIZE : 2.15m (L) X 0.45m (W) X 0.75m (H)**

Figure 7 40MMx50MM SIZE LEG AND CENTRAL FOOTREST

Lot No. 08  
WOODEN BENCH



WOODEN BENCH

SIZE : 2.15M (L) X 0.41M (W) X 0.46M (H)

**Bill of quantities**

Lot No	Specification of item to be carried out	Estimated quantity	Unit of measurement
-1-	-2-	-3-	-4-
1	<p><b><u>Class Room Boards with provision for LCD Projection/ Writing with Marker and Chalk (White, Green Horizontal Sliding Board)</u></b>            Specification / Dimension            Green board (Fixed Back Board): 3600 mm (Length) x 1200 (Height)            White board (Smaller Sliding Board): 1200 mm (Length) x 1200 (Height)            The must have horizontal sliding units. The Horizontal Sliding Unit can be used to combine writing boards. In these types of board, the back board is fixed in the three-track back channel. The back board should be green to write with chalk.            Two smaller pre painted white boards to write with dry wipe markers should move from left to right in the other tracks independently.            Full length pen/duster trays should be provided. Set of brackets with screws and rawl plugs, 5 for bottom &amp; 3 for top should provided to fix on any wall.</p>	06	Nos
2	<p><b><u>Podium</u></b>            Manufacturing, Supplying and Installation of Podium with Single Shelf In the middle by using 19mm thick plywood (Exterior Grade) BWP grade Confirming to IS:710 with 1 mm thick lamination (Thermosetting lamination of approved make &amp; quality).All cut edges of plywood shall be covered &amp; sealed with PVC edge banding tapes with 2mm thick on exposed edges and 0.8mm thick on all unexposed edges pressed with PUR waterproof glue using fully automatic edge banding machine at required temperature. All joinery fabrication work shall be done with mini fix fittings, plastic dowels, modular clips, screws, nails, adhesives, washers of approved make. The podium should be provided with approved brand Amplifier, Mic set with necessary provisions of switches , electric / internet cabling etc complete as detailed Figure.2 and as per direction of Engineer-in-charge Size:900mm x600mmx1200mm</p>	02	Nos
3	<p><b><u>Teachers table for Big Seminar Hall</u></b>            Manufacturing, Supplying and Installation of Teachers table made Seal and signature of the bidder by using 25mm thick marine Quality Plywood (Exterior Grade) BWP Grade confirming to IS :710 for Table top ,front and all vertical support . All the plywood surfaces should be laminated (thermosetting lamination of approved make and quality) with 0.8mm thick for internal surface and 1 mm thick for external surface. All cut edges of Plywood shall be covered &amp; sealed with PVC edge banding tapes with 2mm thick on exposed edges and 0.8mm thick on all unexposed edges pressed with PUR waterproof glue using fully automatic edge banding machine at required temperature. All joinery fabrication work shall be done with minifix fittings, plastic dowels, modular clips, screws, nails adhesives, washers etc. made of approved make as per Figure.03 and as per direction of Engineer-in-charge.(Big Seminar Hall)            Size:5450mmx600mmx750mm ( Detachable type )</p>	01	Nos
4	<p><b><u>Conference Table (34-Seater - Similar to Godrej SENATE)</u></b>            Tops: Work surface: Top thickness 31.6 (18mm + 12mm + 0.6 mm DL(both sides) + 0.4mm Membrane) Edge profile Waterfall Edge 10mm radius on top edge and 5mm at bottom.            Understructure: Legs Modesty Panel: Made from 25mm PPB having a straight profile with half round edges and clad with 0.6mm thick Post Forming laminate. Overall thickness of leg is 26.2mm.            Made from PLT (Prelaminated Twin) boards of 18mm thick.            Wire Manager: Wire Carrier Carrier Cover: Made from 0.6mm thick CRCA painted. Made of 12mm thick. MDF Painted all over.</p>	01	Nos

	<p>Substrate: MDF  Skin: PVC Membrane foil (0.4mm thk) clad on the substrate MDF using PU glue for better adhesion. This foil is pre-coated with layer of polyurethane for better scratch resistance  Table Size: Width = 1426 mm (approx.)  Depth = 750mm (approx.) Seating Capacity: 34-Seater ( 2Nos Single Seater, 14 Nos Two Seater &amp; 2Nos Two Seater (Half Circle )</p>		
5	<p><b><u>Chemical Analysis Table (ISLAND TABLE MODULE)</u></b>  <b>Under Bench Modules:</b> Under bench Modules will be made of 20 SWG pre-coated Galvanized iron Sheet (TATA Steel – GI Sheet) and completely finished with epoxy powder coating. These modules will be provided with top drawer and bottom cupboard and lockable doors and aesthetic powder coated handles. The under-bench modules will be arranged as per the diagram. The base of the modules should be provided with skirting panels with adjustable feet (tolerance from 5 – 20 mm to correct unevenness of flooring).  <b>Quantity of modules:</b> As per drawing.  <b>Colour Options:</b> Colour combination of IVORY or HALF WHITE and drawer fronts contrasting BLUE / RED / GREEN / ORANGE / YELLOW for aesthetic appeal by powder coating technique.  <b>Table Top:</b> Should be made of finely polished epoxy resin coated 18 mm ± 2 mm thick black Colour Granite with rounded edges.  <b>Reagent Racks Size: 850 x 300 x 600 mm ht.:</b>  Two tire Reagent rack made of 20 SWG pre-coated Galvanized Iron Sheet (TATA-Steel) and completely finished with epoxy powder coating. – Total quantity as per diagram. Racks contains 16 / 6 Amps Sockets &amp; Switch and 3 model plates, Data Lan sockets – 8 nos   <b>Sink:</b> PP Sink With Outlet Nipple and Three way Goose neck tap will be provided as per the diagram.  Technical-Specification  Material of Construction: Polypropylene; Chemical Resistance  Gasket / 'O' Ring Nitrile Rubber to Avoid Leakage; Outlet Connection: 1 1/2"B.S.P ; Color: Black   <b>Note: Sizes indicated in the diagram is an overall size (Top Granite Size). Original box size may lesser to the extent of 50 - 100 mm each side for the purpose of lipping.</b>   <u>List of approved makes</u>  Steel: TATA Steel, JINDAL Steel/ Equivalent or better   Powder Coating: Kansai Nerolac, Berger Paints, Asian Paints/ Equivalent or better   Water Faucets and Gas Valves,: Water saver, Broen/ Equivalent or better   Switches and Sockets, Data and LAN points: Northwest, Norisys/ Equivalent or better   Locks: Hettich, Hafele, Godrej/ Equivalent or better   Drawer Slides: Hettich, Hafele, Godrej/ Equivalent or better   Sink (PP Sink): KL Labs, Malaysia, Alloyplass/ Equivalent or better   Worktop: Jet Black Granite</p>	01	Nos
6	<p><b><u>Heavy Duty Table</u></b>  Heavy Duty Table:Made by First Class Mahagony Wood (Swietenia Maerophylla)  Length – 1828 mm (6ft), Width 914.4 mm (3ft), Height 853 mm (2.8 ft) with granite</p>	12	Nos

	Top, made of finely polished (18 mm) thick jet-black Granite top with rounded edge. Detailed drawing is given in Figure 6		
7	<p><b>Wooden Desk</b></p> <p>Wooden Desk Supplying of Class room Wooden Desks of size 2.15 m x 0.45 m x 0.75 m, made by using well-seasoned <b>First class Mahagony wood(Swietenia Maerophylla)</b>, free from knots, with 6 numbers of legs of size 60mm x 60mm. The Desk top &amp; bottom planks should be 25 mm thick Mahagony wood planks. Leg support ties &amp; Central foot rest of size 40 mm x 50 mm. Top three sides support planks should be 25mm thick. All the wooden sizes are finished thickness before applying melamine spray polish. All the wooden surfaces should be treated with sanding sealer mixed with thinner, after rubbing with zero size sand paper and applying sealer coat by way of spraying with necessary compressor and after rubbing with steel wool, applying two coats of approved shade of melamine spray polish Interior grade matt finish to provide anti -scratch and anti-strain properties (second coat of melamine spray polish to be applied after drying of first coat) of approved make colour to give good finish as per the specification. <b>Size : 2.15 m (L) x 0.45 m (W) x 0.75 m (H)</b></p>	72	Nos
8	<p><b>Wooden Bench</b></p> <p>Supplying of wooden Bench of size 2.15 m x 0.45 m x 0.45 mmade by using well seasoned <b>First class Mahagony wood(Swietenia Maerophylla)</b>, free from knots, with 6 numbers of legs of size 60mm x 60mm. The Bench should be provided 30mm thick wooden plank for seat &amp; 20mm thick wooden plank for back rest. 40 mm x 60 mm size wood for seat supports. 60 mm x 30 mm size wood for back supports. 40 mm x 40 mm size wood for bottom leg support ties. All the wooden sizes are finished thickness before applying melamine spray. All the wooden surfaces should be treated with sanding sealer mixed with thinner, after rubbing with zero size sand paper and applying sealer coat by way of spraying with necessary compressor and after rubbing with steel wool, applying two coats of approved shade of melamine spray polish Interior grade matt finish to provide anti -scratch and anti -strain properties (second coat of spray polish to be applied after drying of first coat) of approved make and colour to give good finish as per the specification. Size is 2.15M (L) X 0.45M (W) X0.93M(H)</p>	72	Nos



**Annexure-‘I’****Checklist for BIDDERS**

BIDDERS are to indicate whether the following documents are uploaded by striking out the non- relevant option and the relevant technical bid documents should be in order.

Sl. No.	Documents	Content	Document Attached
1	<b>Technical Bid</b>	A self-attested copy of registration under Shops and Commercial Establishment Act (or similar) evidencing registration as Furniture manufacturer/ Furniture dealer should be uploaded to e-Procurement portal while submitting e-tenders.	(Yes /No) Pg. No
2		Signed copy of tender document should be uploaded	(Yes /No) Pg. No
3		Self-Attested copy of GST & PAN Number	(Yes /No) Pg. No.
4		Licence certificate for manufacture /supply of the item &Factory license. Registration with EPF and ESI	(Yes /No) Pg. No.
5		Undertaking that the successful BIDDER agrees to give a 3% Performance Security	(Yes /No) Pg. No.
6		Catalogue of the Product with detailed product specifications.	(Yes /No) Pg. No.
7		Copy of the Balance Sheet	(Yes /No) Pg. No.
8		List of Owner/partners of the firm and their contact numbers (Bidder Information)	(Yes /No) Pg. No.
9		The contract form is given in section 5	(Yes /No) Pg. No.
10		Format of compliance statement of specification as per <b>Annexure-‘A’</b>	(Yes /No) Pg. No.
11		Previous Supply Order as per <b>Annexure-‘B’</b>	(Yes /No) Pg. No.
12		Declaration of abandoned or suspended any awarded service & Blacklist Certificate. <b>Annexure ‘C’</b>	(Yes /No) Pg. No.
13		Integrity Pact. <b>Annexure ‘D’</b>	(Yes /No) Pg. No.
14		Bank details of the bidder. <b>Annexure ‘E’</b>	(Yes /No) Pg. No.
15		Undertaking that the BIDDER agrees to give “ <b>BID SECURITY DECLARATION</b> ” <b>Annexure –G</b>	(Yes /No) Pg. No.
16		Document as per specification (if any)	(Yes /No) Pg. No.
1	<b>Financial-Bid</b>	Price bid	( Yes /No )

Seal and Signature of the bidder